

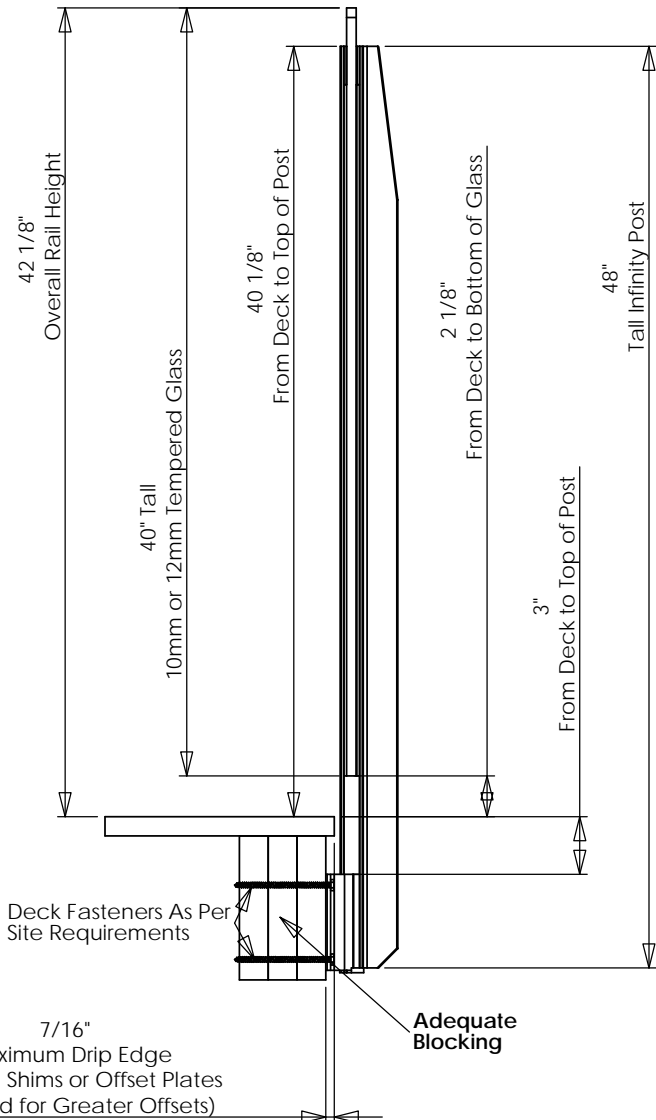
Infinity

Railings for million dollar views

Infinity Railing Installation Guide

- Step 1:**
Determine post placement based on deck spans and engineers recommended post spacing.
- Step 2:**
Attach loose fascia plates to post using #10 X 3/4" tek screws. Ensure that the base plates are attached to match the deck angle you need.
- Step 3:**
Install posts using required deck fasteners. Ensure fasteners are going into adequate blocking and far enough from the deck edge to prevent damage to the deck edge.
- Step 4:**
Install vinyl setting block material into bottom of glass tracks. Setting block should stop 2 1/8" above deck level.
- Step 5:**
Measure between setting blocks in the glass tracks to determine glass sizes (See reverse). Order glass
- Step 6:**
Install glass by applying glass insert onto glass edges and slide assembled unit into posts
- Step 7:**
Install glass wedge into top of glass track to lock glass in place

Fascia Mount Typical Details

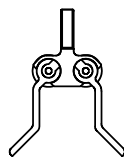
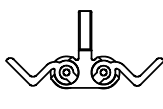
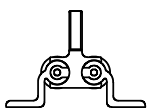


Fascia Infinity Posts - Top View

Inline Post

Inside Angle Post

Outside Angle Post



For End Posts
Install End Cap and
Glass Insert Into One
Side of Inline Post

Prior to ordering it is recommended that you consult with a local engineer to determine the appropriate post spacing and deck fastener requirements for your job site

Before using these products, check with the proper authority as building codes may vary. The optional fasteners offered for attaching the Infinity post to the deck surface may not be suitable for all applications, or may not comply with the applicable building codes. No representation or warranty is given with regard to the suitability of these fasteners in regards to your specific application or to the compliance with applicable building codes of these fasteners



Innovative Aluminum Systems Inc.
#306 - 26730 56th Ave
Aldergrove, BC V4W 3X5
www.innovativealuminum.com

Phone: 604-626-4373
Fax: 604-626-4372
Toll Free: 1-877-724-5427

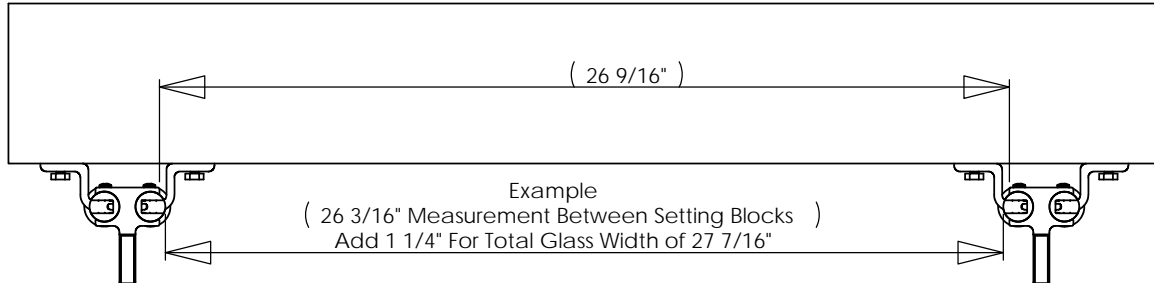
"Taking your railing concepts to completion" E-mail: info@innovativealuminum.com

THE MATERIAL CONTAINED HEREIN IS PROPRIETARY TO INNOVATIVE ALUMINUM SYSTEMS INC. AND SHALL NOT BE REPRODUCED, DISCLOSED, OR USED FOR ANY OTHER PURPOSE WITHOUT THE WRITTEN CONSENT OF INNOVATIVE ALUMINUM INC.

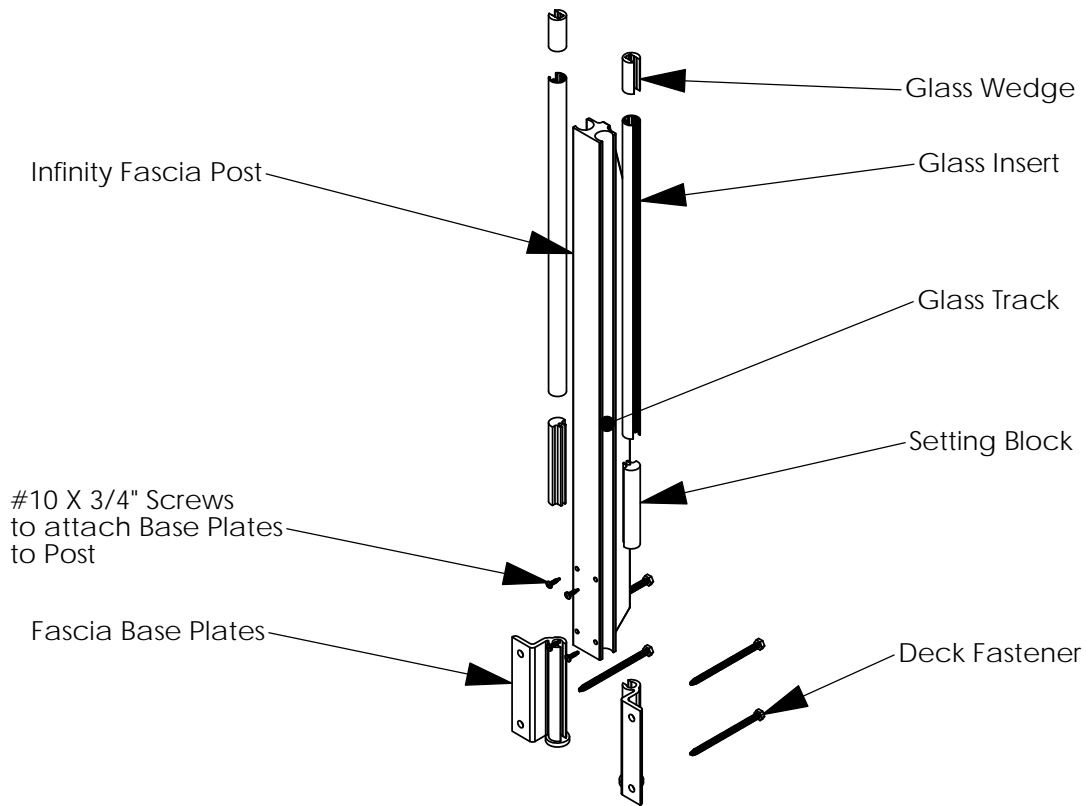
Infinity

Railings for million dollar views

Glass Measuring Guide



Infinity Fascia Post Exploded View



Before using these products, check with the proper authority as building codes may vary. The optional fasteners offered for attaching the Infinity post to the deck surface may not be suitable for all applications, or may not comply with the applicable building codes. No representation or warranty is given with regard to the suitability of these fasteners in regards to your specific application or to the compliance with applicable building codes of these fasteners



Innovative Aluminum Systems Inc.
#306 - 26730 56th Ave
Aldergrove, BC V4W 3X5
www.innovativealuminum.com

Phone: 604-626-4373
Fax: 604-626-4372
Toll Free: 1-877-724-5427

"Taking your railing concepts to completion" E-mail: info@innovativealuminum.com

THE MATERIAL CONTAINED HEREIN IS PROPRIETARY TO INNOVATIVE ALUMINUM SYSTEMS INC. AND SHALL NOT BE REPRODUCED, DISCLOSED, OR USED FOR ANY OTHER PURPOSE WITHOUT THE WRITTEN CONSENT OF INNOVATIVE ALUMINUM INC.